

AIR/OIL BOOSTER - SERIES 02 -



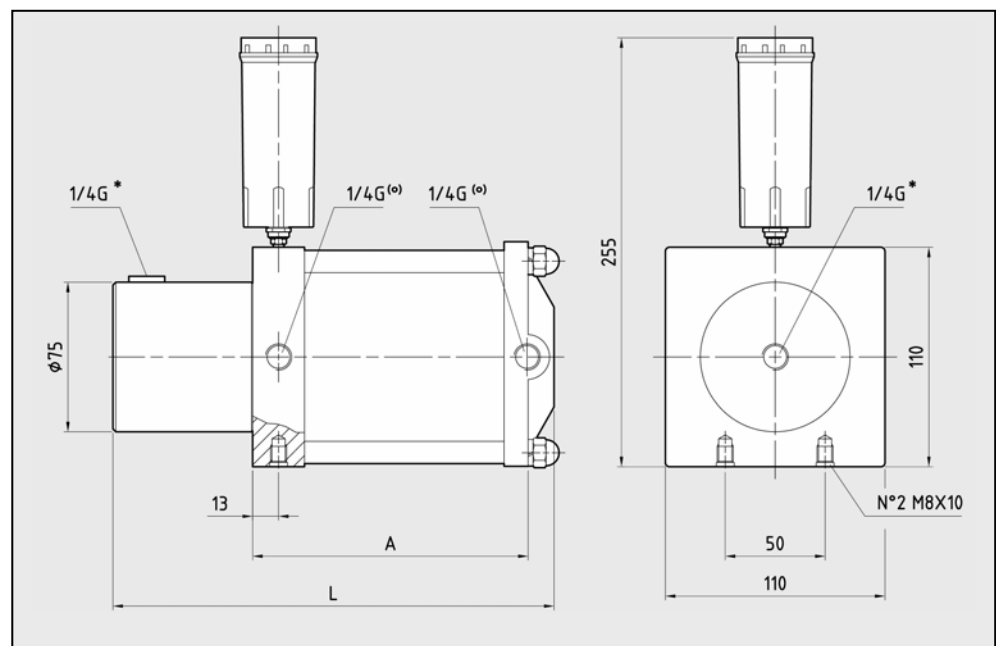
Available in 8 standard models:
8 with pneumatic return



DIMENSIONS

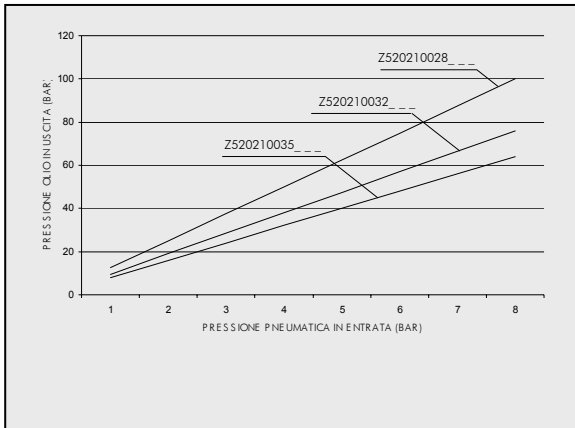
* = Oil flow:
Top and/or front
connection

(o) = Air supply



TECHNICAL CHARACTERISTICS

AIR/OIL PRESSURE RATIO



CODE	PRESSURE RATIO	OIL WITH AIR AT		OIL VOL (cm ³)	AIR VOL (cm ³)	DIMENSIONS (mm)	
		5 BAR	8 BAR			H	L
Z52021002805P Z52021002810P Z52021002815P	12,5:1	62	100	31 61 91	390	138 188 238	230 330 430
Z52021003205P Z52021003210P Z52021003215P	9,5:1	47	76	40 80 120	390	138 188 238	230 330 430
Z52021003505P Z52021003510P Z52021003515P	8:1	40	64	48 96 144	390	138 188 238	230 330 430

SPECIAL APPLICATIONS

Special applications are available on request, for example when you need a higher multiplication ratio or dimensions to drawing.

Pressure multipliers can be ordered without an oil tank or with a larger tank. We can also add surface treatments to the internal and external parts when the multipliers are for use in special conditions or with corrosive substances. Click on the link below to view pictures of the main special applications.

